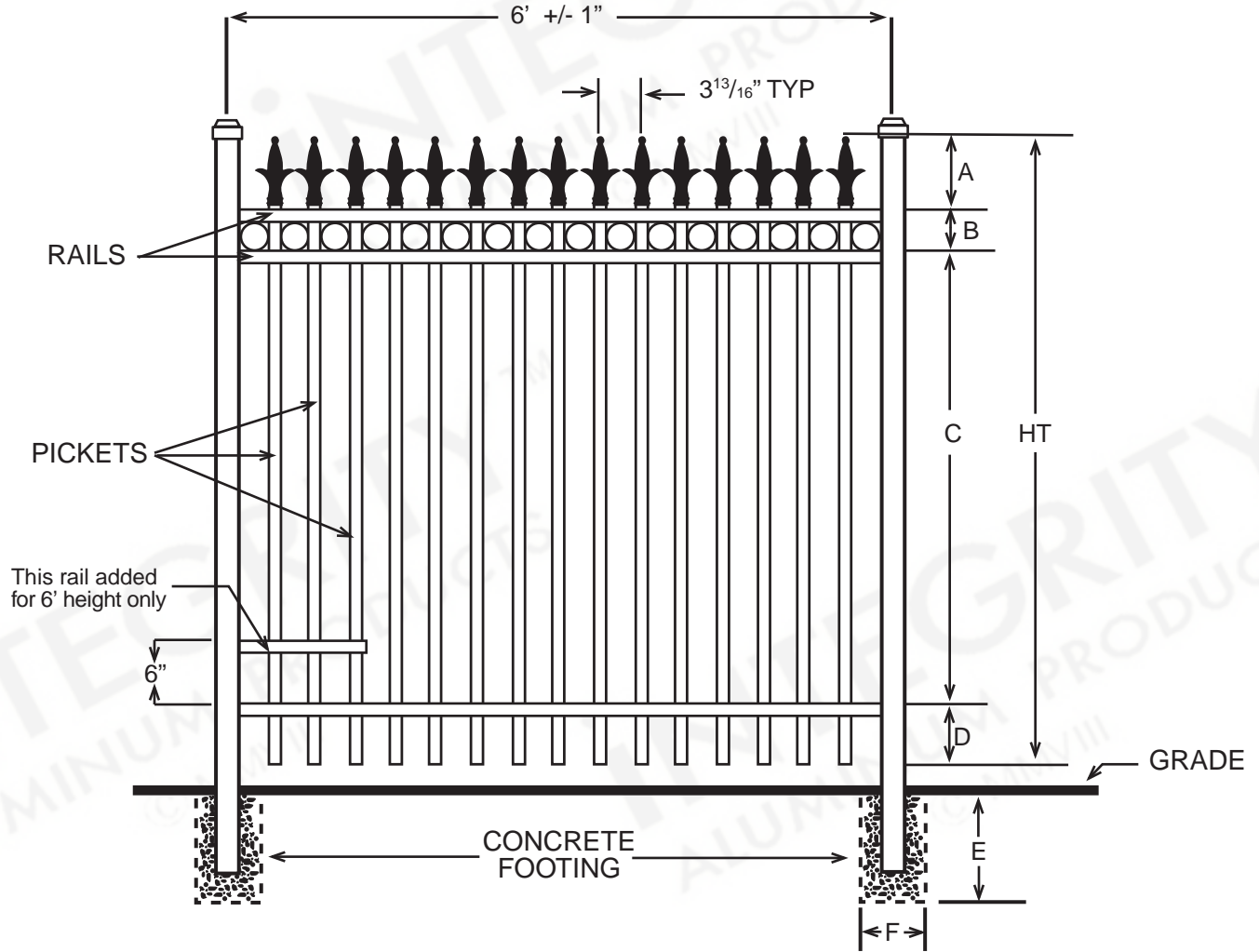


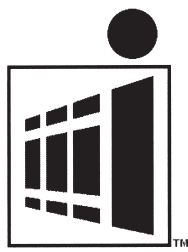
iNTEGRITY™
 ALUMINUM PRODUCTS
 800.762.8876



PROVIDENCE™
 CLASSIC

DIMENSIONS						
HT	A	B	C	D	E	F
3'	4½"	4½"	21½"	5½"	Per Local Code	
3½'	4½"	4½"	27½"	5½"	Per Local Code	
4'	4½"	4½"	33½"	5½"	Per Local Code	
5'	4½"	4½"	45½"	5½"	Per Local Code	
6'	4½"	4½"	57½"	5½"	Per Local Code	
All Dimensions Are Nominal						

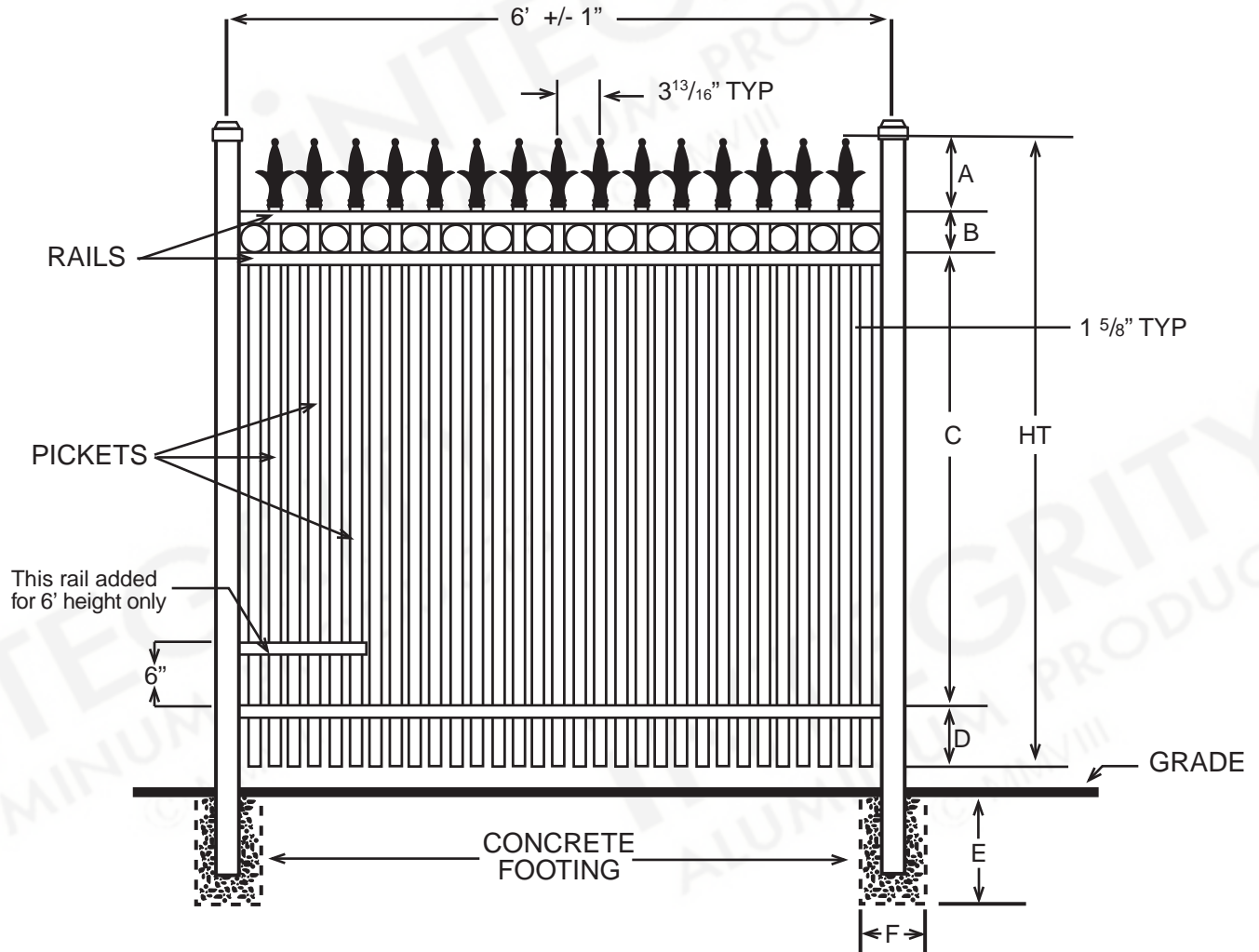
SPECIFICATIONS RESIDENTIAL	
Posts Available	2" x 2" x .060 Wall 2" x 2" x .080 Wall 2" x 2" x .125 Wall 2½" X 2½" X .100 Wall
Horizontal Rails Side Walls Top Walls	1 1/8" x 1" .082" .062"
Pickets Picket Spacing	5/8" x 5/8" x .050 Wall 3 13/16"
Heights Available	3, 3½, 4, 5 & 6 Ft.



INTEGRITY™

ALUMINUM PRODUCTS

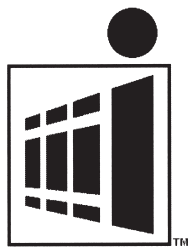
800.762.8876



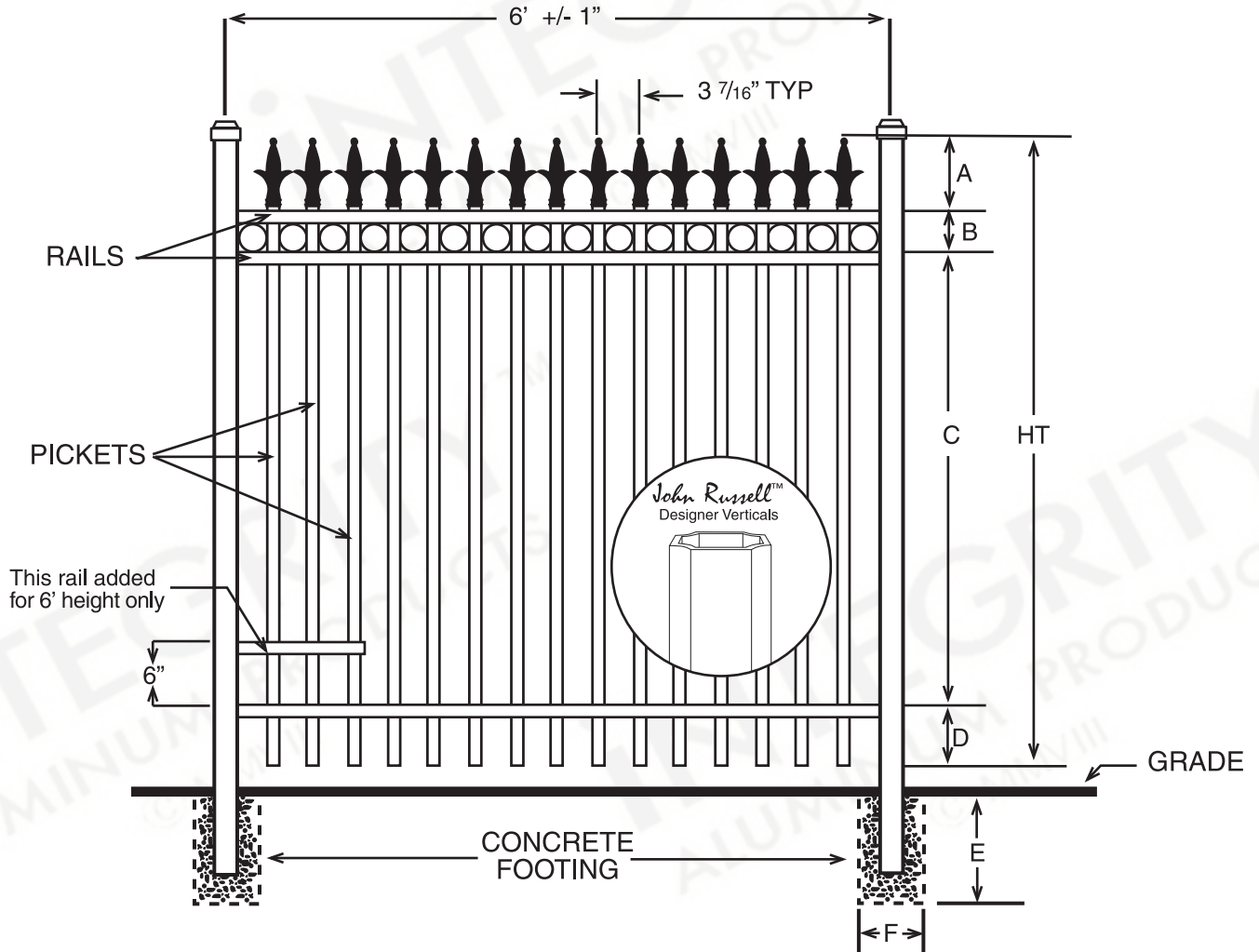
PROVIDENCE™ CLASSIC EXTREME

DIMENSIONS						
HT	A	B	C	D	E	F
3'	4½"	4½"	21½"	5½"	Per Local Code	
3½'	4½"	4½"	27½"	5½"	Per Local Code	
4'	4½"	4½"	33½"	5½"	Per Local Code	
5'	4½"	4½"	45½"	5½"	Per Local Code	
6'	4½"	4½"	57½"	5½"	Per Local Code	
All Dimensions Are Nominal						

SPECIFICATIONS RESIDENTIAL	
Posts Available	2" x 2" x .060 Wall 2" x 2" x .080 Wall 2" x 2" x .125 Wall 2½" X 2½" X .100 Wall
Horizontal Rails Side Walls Top Walls	1⅛" x 1" .082" .062"
Pickets Picket Spacing	⅝" x ⅝" x .050 Wall 1⅝"
Heights Available	3, 3½, 4, 5 & 6 Ft.



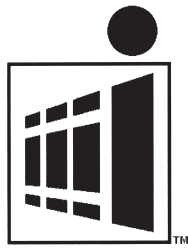
iNTEGRITY™
ALUMINUM PRODUCTS
800.762.8876



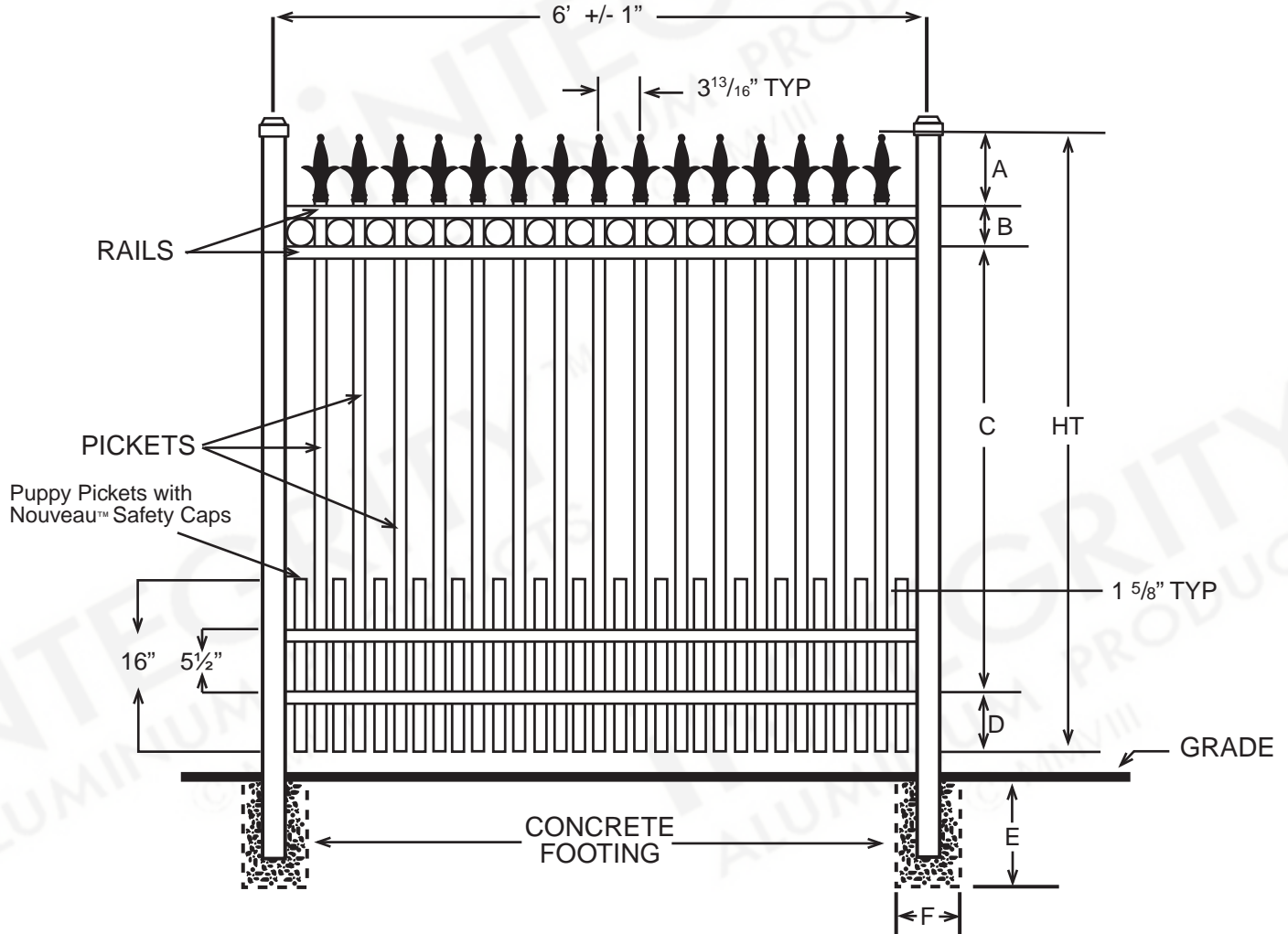
PROVIDENCE™
John Russell™ Designer Verticals

DIMENSIONS						
HT	A	B	C	D	E	F
3'	4½"	4½"	21½"	5½"	Per Local Code	
3½'	4½"	4½"	27½"	5½"	Per Local Code	
4'	4½"	4½"	33½"	5½"	Per Local Code	
5'	4½"	4½"	45½"	5½"	Per Local Code	
6'	4½"	4½"	57½"	5½"	Per Local Code	
All Dimensions Are Nominal						

SPECIFICATIONS DESIGNER CLASSIC	
Posts Available	2" x 2" x .060 Wall 2" x 2" x .080 Wall 2" x 2" x .125 Wall 2½" X 2½" X .100 Wall
Horizontal Rails Side Walls Top Walls	1⅛" x 1" .082" .062"
Pickets Picket Spacing	1" x ⅝" x .062 Wall 3⅞"
Heights Available	3, 3½, 4, 5 & 6 Ft.



iNTEGRITY™
ALUMINUM PRODUCTS
800.762.8876



PROVIDENCE™ CLASSIC w/ PUPPY PICKETS

DIMENSIONS						
HT	A	B	C	D	E	F
3'	4½"	4½"	21½"	5½"	Per Local Code	
3½'	4½"	4½"	27½"	5½"	Per Local Code	
4'	4½"	4½"	33½"	5½"	Per Local Code	
5'	4½"	4½"	45½"	5½"	Per Local Code	
6'	4½"	4½"	57½"	5½"	Per Local Code	
All Dimensions Are Nominal						

SPECIFICATIONS RESIDENTIAL	
Posts Available	2" x 2" x .060 Wall 2" x 2" x .080 Wall 2" x 2" x .125 Wall 2½" X 2½" X .100 Wall
Horizontal Rails Side Walls Top Walls	1⅛" x 1" .082" .062"
Pickets Picket Spacing	⅝" x ⅝" x .050 Wall 3⅓/16" and 1⅝"
Heights Available	3, 3½, 4, 5 & 6 Ft.