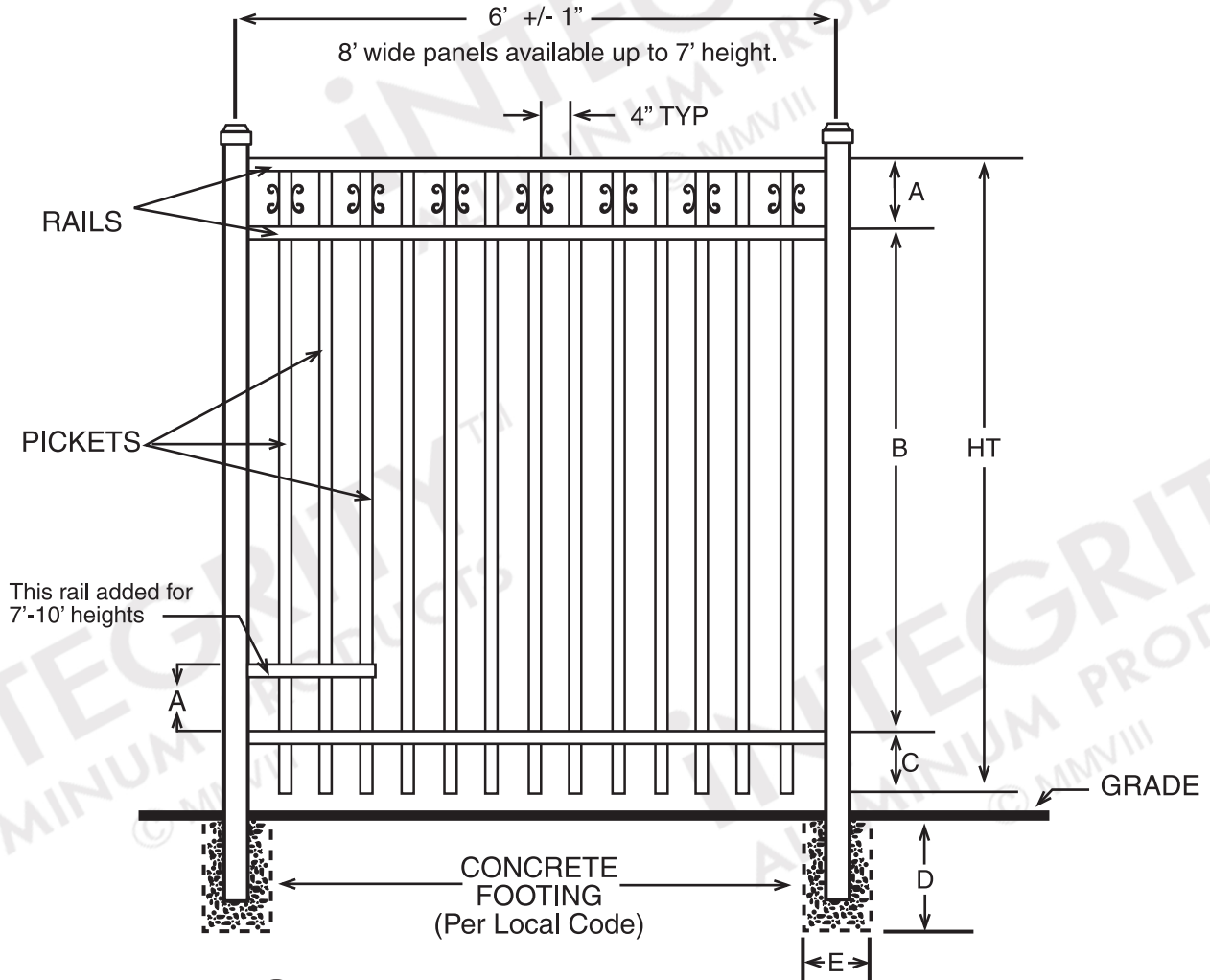


INTEGRITY™

ALUMINUM PRODUCTS

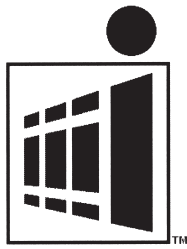
800.762.8876



AMARILLO™ ULTIMATE

DIMENSIONS					
HT	A	B	C	D	E
3'	7 ⁵ / ₈ "	20 ³ / ₄ "	7 ⁵ / ₈ "	Per Local Code	
4'	7 ⁵ / ₈ "	32 ³ / ₄ "	7 ⁵ / ₈ "	Per Local Code	
5'	7 ⁵ / ₈ "	44 ³ / ₄ "	7 ⁵ / ₈ "	Per Local Code	
6'	7 ⁵ / ₈ "	56 ³ / ₄ "	7 ⁵ / ₈ "	Per Local Code	
7'	10 ⁵ / ₈ "	62 ³ / ₄ "	10 ⁵ / ₈ "	Per Local Code	
8'	10 ⁵ / ₈ "	74 ³ / ₄ "	10 ⁵ / ₈ "	Per Local Code	
9'	13 ⁵ / ₈ "	80 ³ / ₄ "	13 ⁵ / ₈ "	Per Local Code	
10'	13 ⁵ / ₈ "	92 ³ / ₄ "	13 ⁵ / ₈ "	Per Local Code	
All Dimensions Are Nominal					

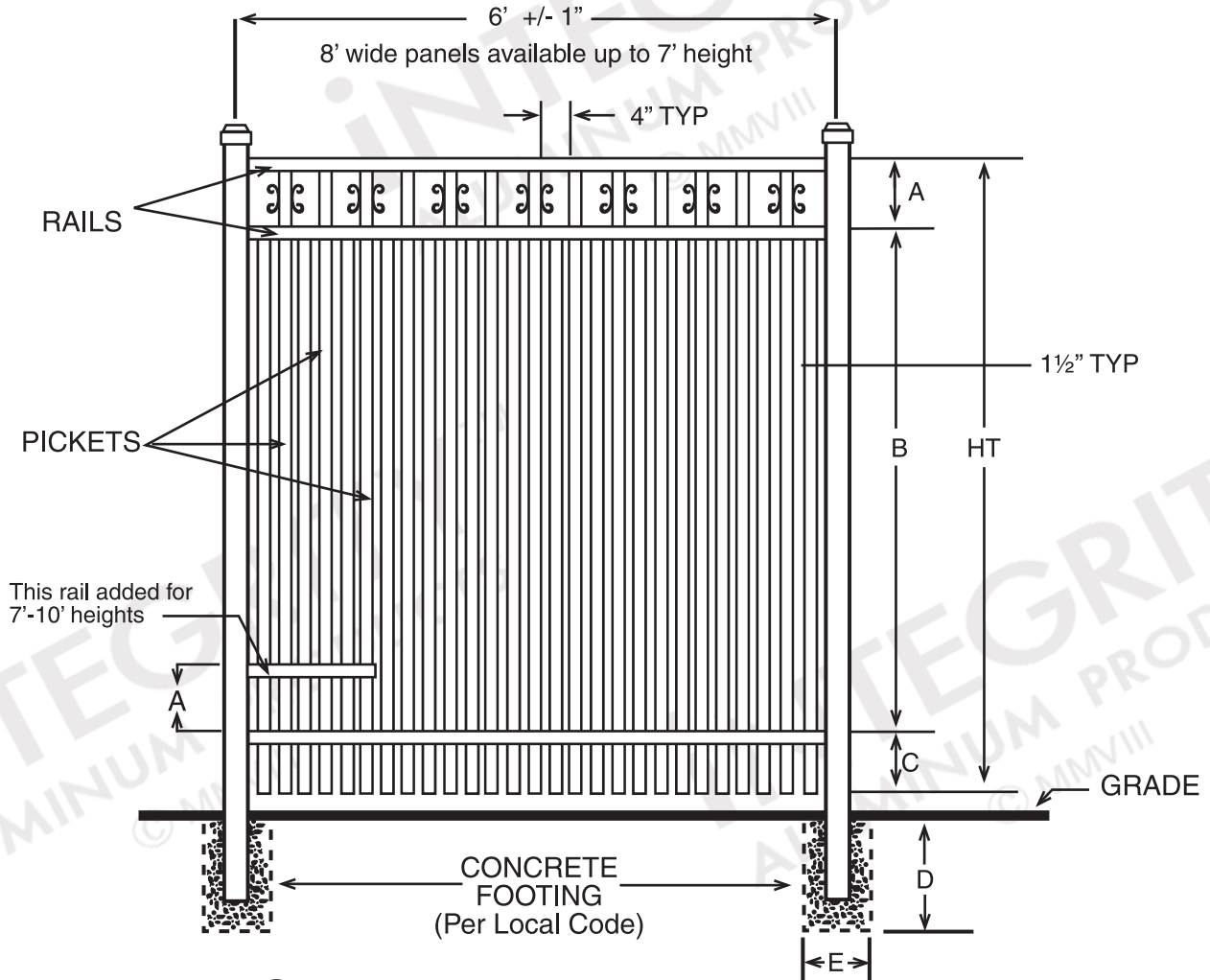
SPECIFICATIONS COMMERCIAL ULTIMATE	
Posts Available	2 ¹ / ₂ " x 2 ¹ / ₂ " x .100 Wall 3" x 3" x .125 Wall 4" x 4" x .125 Wall
Horizontal Rails Side Walls Top Walls	1 ⁵ / ₈ " x 1 ⁵ / ₈ " .100" .070"
Pickets Picket Spacing	1" x 1" x .062 Wall 4"
Heights Available	3, 4, 5, 6, 7, 8, 9, & 10 Ft.
Widths Available	6 & 8 Ft.



INTEGRITY™

ALUMINUM PRODUCTS

800.762.8876



AMARILLO™ ULTIMATE EXTREME

DIMENSIONS					
HT	A	B	C	D	E
3'	7 ⁵ / ₈ "	20 ³ / ₄ "	7 ⁵ / ₈ "	Per Local Code	
4'	7 ⁵ / ₈ "	32 ³ / ₄ "	7 ⁵ / ₈ "	Per Local Code	
5'	7 ⁵ / ₈ "	44 ³ / ₄ "	7 ⁵ / ₈ "	Per Local Code	
6'	7 ⁵ / ₈ "	56 ³ / ₄ "	7 ⁵ / ₈ "	Per Local Code	
7'	10 ⁵ / ₈ "	62 ³ / ₄ "	10 ⁵ / ₈ "	Per Local Code	
8'	10 ⁵ / ₈ "	74 ³ / ₄ "	10 ⁵ / ₈ "	Per Local Code	
9'	13 ⁵ / ₈ "	80 ³ / ₄ "	13 ⁵ / ₈ "	Per Local Code	
10'	13 ⁵ / ₈ "	92 ³ / ₄ "	13 ⁵ / ₈ "	Per Local Code	
All Dimensions Are Nominal					

SPECIFICATIONS COMMERCIAL ULTIMATE	
Posts Available	2 ¹ / ₂ " x 2 ¹ / ₂ " x .100 Wall 3" x 3" x .125 Wall 4" x 4" x .125 Wall
Horizontal Rails Side Walls Top Walls	1 ⁵ / ₈ " x 1 ⁵ / ₈ " .100" .070"
Pickets Picket Spacing	1" x 1" x .062 Wall 1 ¹ / ₂ "
Heights Available	3, 4, 5, 6, 7, 8, 9, & 10 Ft.
Widths Available	6 & 8 Ft.