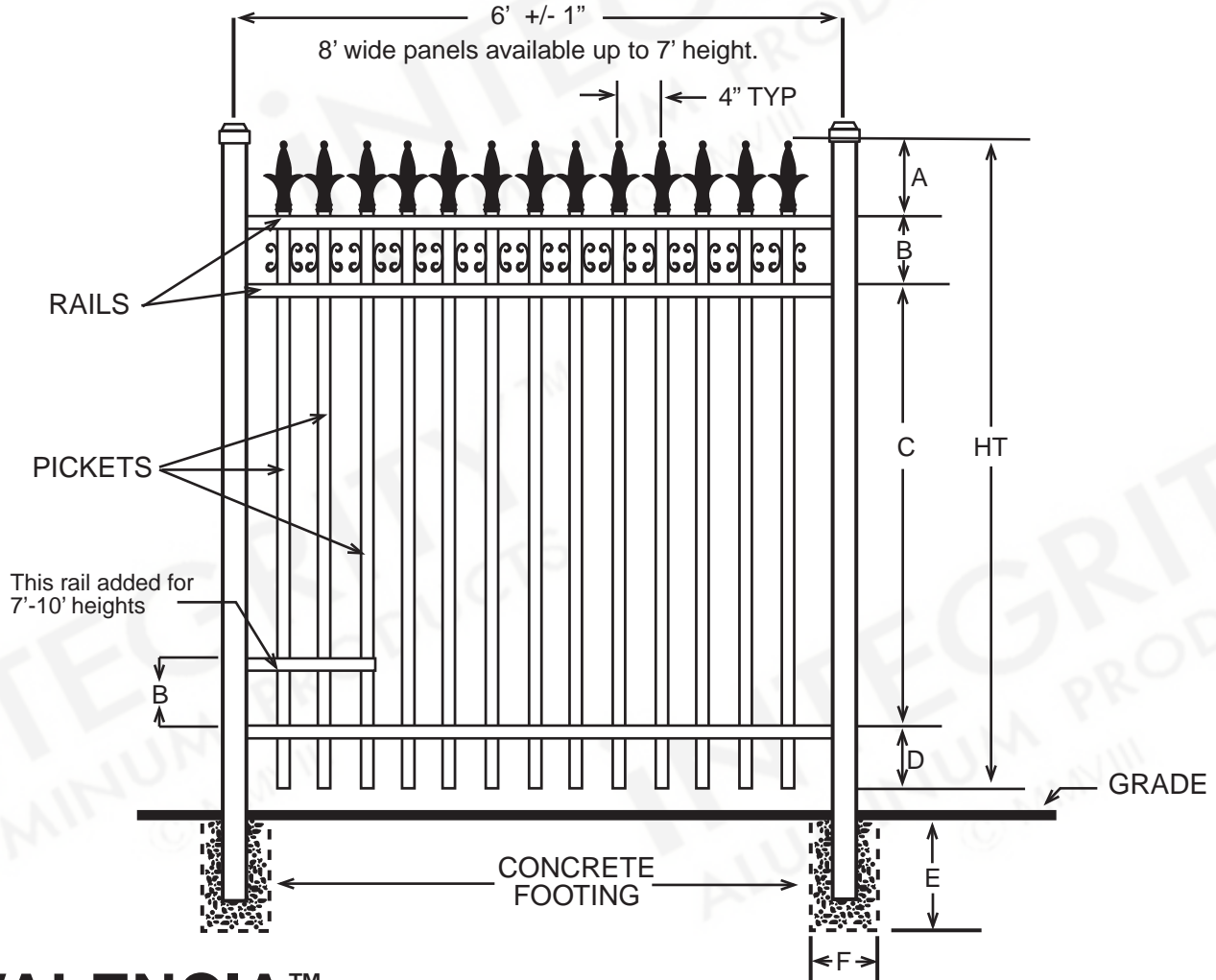


INTEGRITY™

ALUMINUM PRODUCTS

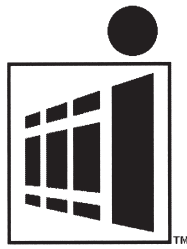
800.762.8876



VALENCIA™ ULTIMATE

DIMENSIONS						
HT	A	B	C	D	E	F
3'	6 ⁵ / ₈ "	7 ⁵ / ₈ "	14 ³ / ₄ "	7"	Per Local Code	
4'	6 ⁵ / ₈ "	7 ⁵ / ₈ "	26 ³ / ₄ "	7"	Per Local Code	
5'	6 ⁵ / ₈ "	7 ⁵ / ₈ "	38 ³ / ₄ "	7"	Per Local Code	
6'	6 ⁵ / ₈ "	7 ⁵ / ₈ "	50 ³ / ₄ "	7"	Per Local Code	
7'	9 ⁵ / ₈ "	10 ⁵ / ₈ "	53 ³ / ₄ "	10"	Per Local Code	
8'	9 ⁵ / ₈ "	10 ⁵ / ₈ "	65 ³ / ₄ "	10"	Per Local Code	
9'	12 ⁵ / ₈ "	13 ⁵ / ₈ "	68 ³ / ₄ "	13"	Per Local Code	
10'	12 ⁵ / ₈ "	13 ⁵ / ₈ "	80 ³ / ₄ "	13"	Per Local Code	
All Dimensions Are Nominal						

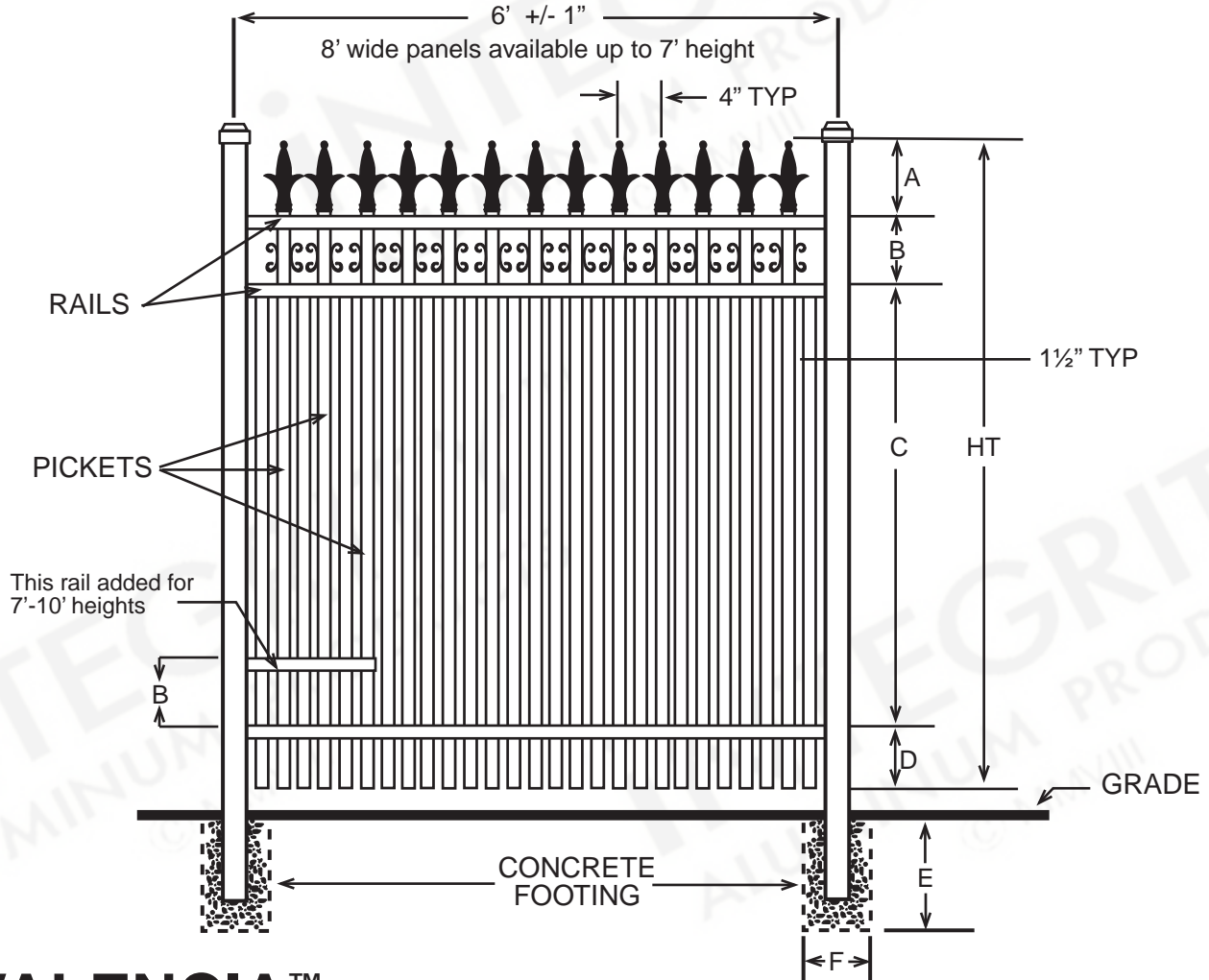
SPECIFICATIONS COMMERCIAL ULTIMATE	
Posts Available	2½" x 2½" x .100 Wall 3" x 3" x .125 Wall 4" x 4" x .125 Wall
Horizontal Rails Side Walls Top Walls	1 ⁵ / ₈ " x 1 ⁵ / ₈ " .100" .070"
Pickets Picket Spacing	1" x 1" x .062 Wall 4"
Heights Available	3, 4, 5, 6, 7, 8, 9, & 10 Ft.
Widths Available	6 & 8 Ft.



INTEGRITY™

ALUMINUM PRODUCTS

800.762.8876



VALENCIA™ ULTIMATE EXTREME

DIMENSIONS						
HT	A	B	C	D	E	F
3'	6 ⁵ / ₈ "	7 ⁵ / ₈ "	14 ³ / ₄ "	7"	Per Local Code	
4'	6 ⁵ / ₈ "	7 ⁵ / ₈ "	26 ³ / ₄ "	7"	Per Local Code	
5'	6 ⁵ / ₈ "	7 ⁵ / ₈ "	38 ³ / ₄ "	7"	Per Local Code	
6'	6 ⁵ / ₈ "	7 ⁵ / ₈ "	50 ³ / ₄ "	7"	Per Local Code	
7'	9 ⁵ / ₈ "	10 ⁵ / ₈ "	53 ³ / ₄ "	10"	Per Local Code	
8'	9 ⁵ / ₈ "	10 ⁵ / ₈ "	65 ³ / ₄ "	10"	Per Local Code	
9'	12 ⁵ / ₈ "	13 ⁵ / ₈ "	68 ³ / ₄ "	13"	Per Local Code	
10'	12 ⁵ / ₈ "	13 ⁵ / ₈ "	80 ³ / ₄ "	13"	Per Local Code	
All Dimensions Are Nominal						

SPECIFICATIONS COMMERCIAL ULTIMATE	
Posts Available	2 ¹ / ₂ " x 2 ¹ / ₂ " x .100 Wall 3" x 3" x .125 Wall 4" x 4" x .125 Wall
Horizontal Rails Side Walls Top Walls	1 ⁵ / ₈ " x 1 ⁵ / ₈ " .100" .070"
Pickets Picket Spacing	1" x 1" x .062 Wall 1 ¹ / ₂ "
Heights Available	3, 4, 5, 6, 7, 8, 9, & 10 Ft.
Widths Available	6 & 8 Ft.